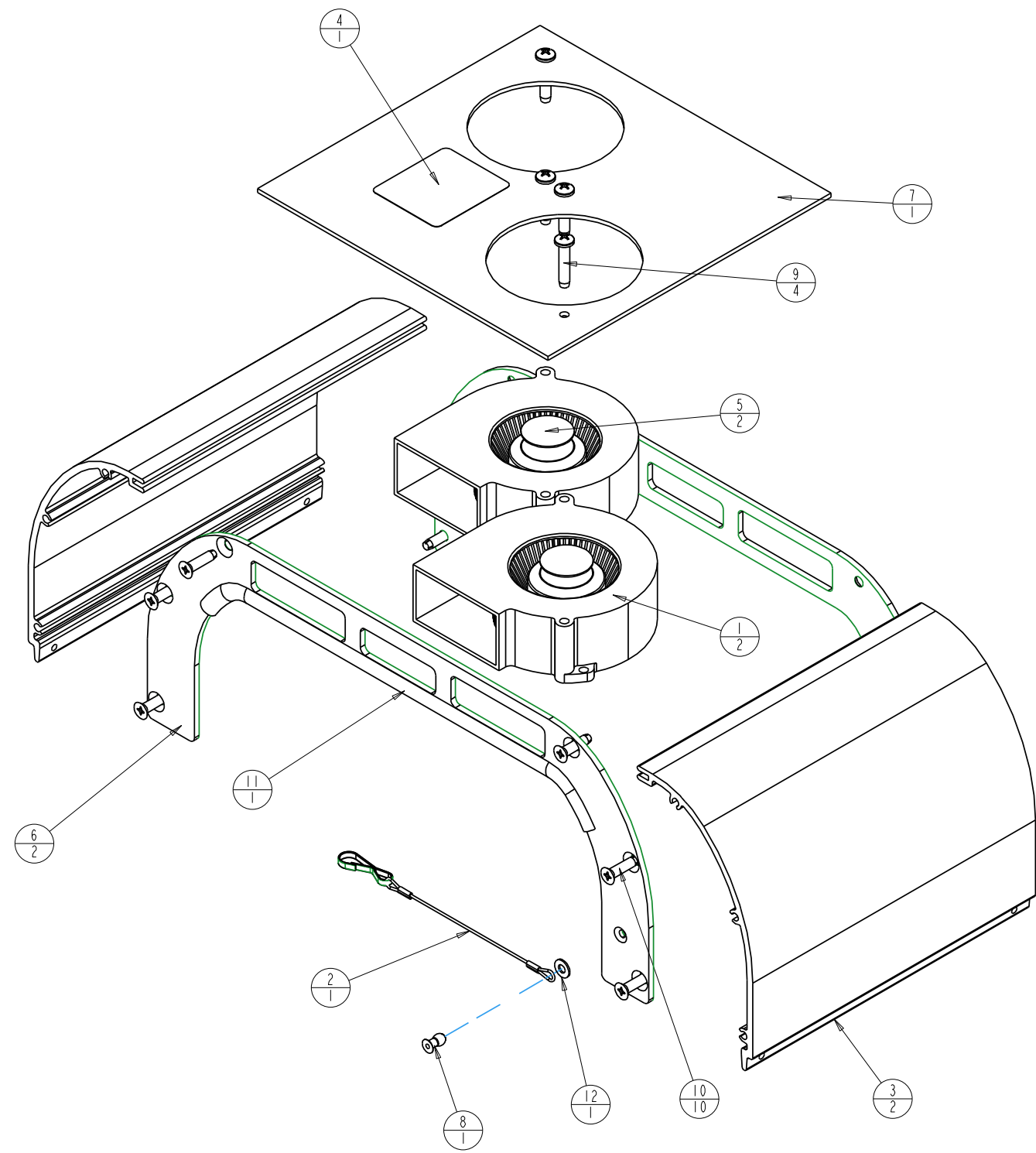


REV.	DESCRIPTION	DATE	ENG	ECO #	APPR
1	CREATE DRAWING	23JUN09	PP		
2	REMOVE 4X 90709207, ADD 4X 90709204, BLOWER LABEL ADD 90701161, 90409024, 90706009	20AUG09	PP		
3	REMOVE 2X 80070549, ADD 2X 80070583 ADD EDGE GUARD, 99330181 AS REQUIRED	22SEP09	PP		
4	REV CHANGE ITEM 6	02NOV09	PP		



ITEM NO.	QTY.	FILENAME	PART NO.	REV	DESCRIPTION
12	1	WASHER8-32S	90706009	.	WASHER,#8 FLAT SS .174 X .375 X .032
11	1	GASKET_LIGHT_BLOCK_CLAO30	99330181	.	TRIM,EDGE GUARD,RUBBER
10	10	SCREW10-32PFTYPEF750	90711018	.	SCREW,10-32 PHIL FLAT 3/4 F TYPE BZ
9	4	SCREW10-14PPI000BTYPE-SBZ	90709204	.	SCREW,#10 PHIL PAN 1.00"L B TYPE S BZ
8	1	RIVET-AK54ABS_B	90701161	.	RIVET,5/32 CSK .188 - .250 AL BLK PAINT
7	1	CL128	80070548	B	PLT,BLWR MNT,FRONT CVR
6	2	CL176	80070583	A	PLT, END CAP, OPTICS BLOWER
5	2	CL456	99310527	-	LABEL, FAN CENTER
4	1	CL460	99310538	-	LABEL, BLOWER, CAUTION
3	2	CL309	80070557	-	EXTR,CVR,FRONT,MACHINED
2	1	CS527	90409024	I	CABLE, SAFETY W/CLIP AF1000, 1B TS, CY
1	2	BLOWER_97-97-33MM_W-TACH_NEW	80270049EF	.	BLOWER, ASSY, 24V DC 97 X 95 X 33MM SANYO DENKI

BILL OF MATERIALS

UNLESS OTHERWISE SPECIFIED DIMENSIONAL TOLERANCES: 0 PLACE DECIMAL = ±0.38 1 PLACE DECIMAL = ±0.25 2 PLACE DECIMALS = ±0.13 ANGLES = ±0.5°	RELEASE DATE: ENG: PETE PHILLIPS ME: MFG:	CE: QA:	High End 2105 GRACY FARMS LANE AUSTIN, TEXAS 78758 (512) 836-2242 FAX (512) 832-4128 http://www.highend.com	LR LIGHTWAVE RESEARCH
FOR PAINTED PARTS REFER TO ENG. SPEC. MANUAL W1-0592	DESCRIPTION: COVER, FRONT, BLOWER MOUNT	MATERIAL: CHARTED	FINISH: NA	
ALL COMPONENTS, MATERIALS AND FINISHES TO BE RoHS COMPLIANT	INTERPRET DIMENSIONS PER ASME Y14.5M-1994 THIRD ANGLE PROJECTION DIMENSIONS ARE IN MILLIMETERS	SI METRIC A1	PART NO. INTERNAL CLAO30	DRAWING NO. CLAO30
MIN. DRAFT	DO NOT SCALE	SCALE: 0.500	SHEET: 1 OF 1	REV. 4

PROPRIETARY NOTICE:
THIS DOCUMENT CONTAINS CONFIDENTIAL AND PROPRIETARY INFORMATION OF HIGH END SYSTEMS INC., (ALSO DBA LIGHTWAVE RESEARCH) AND IS GIVEN TO THE RECEIVER IN CONFIDENCE. THE RECEIVER ACCEPTS AND AGREES THAT, EXCEPT AS AUTHORIZED BY HIGH END SYSTEMS, THE RECEIVER WILL NOT PERMIT THE USE OF THE DOCUMENT OR ANY COPY THEREOF OR THE INFORMATION THEREIN, WILL NOT COPY OR PERMIT COPYING THE DOCUMENT WILL NOT DISCLOSE TO OTHERS EITHER THE DOCUMENT OR THE INFORMATION THEREIN, AND WILL UPON COMPLETION OF THE NEED TO RETAIN THE DOCUMENT, OR UPON DEMAND, RETURN THE DOCUMENT WITHOUT RETAINING ANY OF THE INFORMATION CONTAINED THEREIN IN ANY FORM WHATSOEVER.